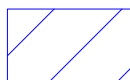
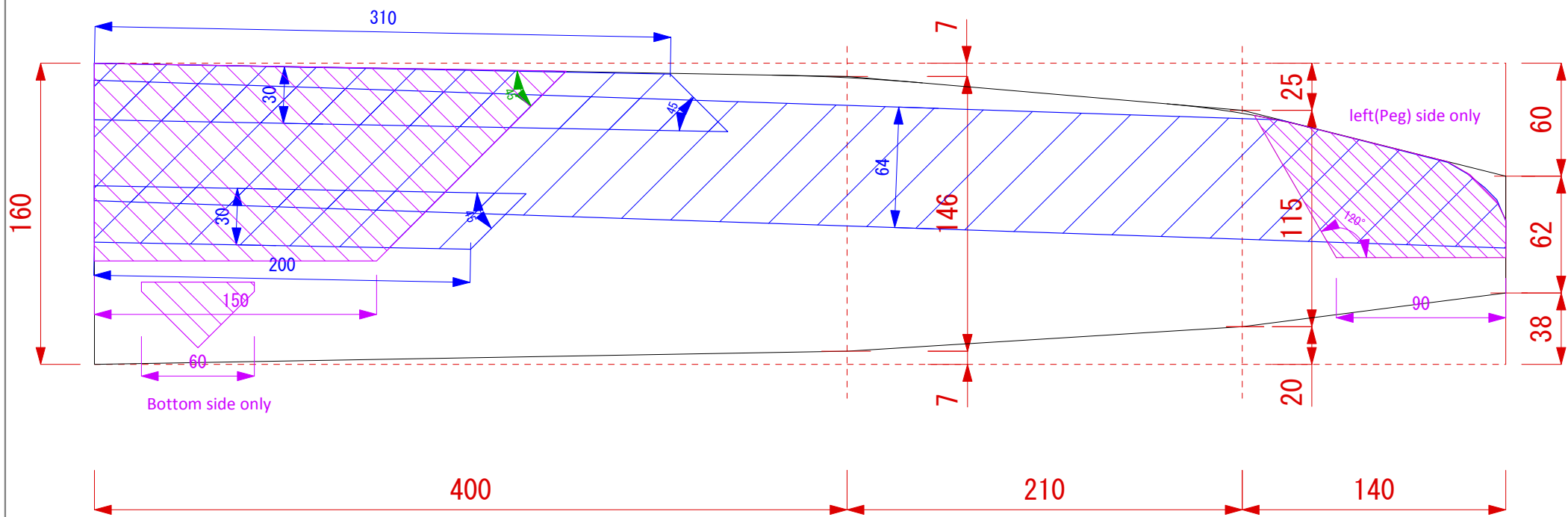




Spread carbon(CN models CW-39)



Carbon UD(t=0.028mm, 66g/m)



- Stiffening carbon -

Hayabusa 18

Root code 160 mm
wing area 19.6 dsqm